

10

9

8

7

6

5

4

3

2

1

H

G

F

E

D

C

B

A

H

G

F

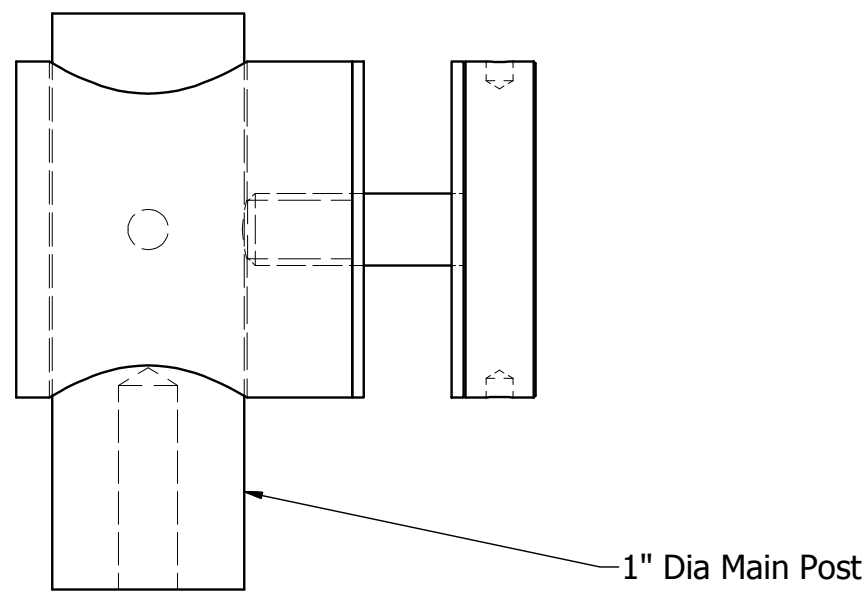
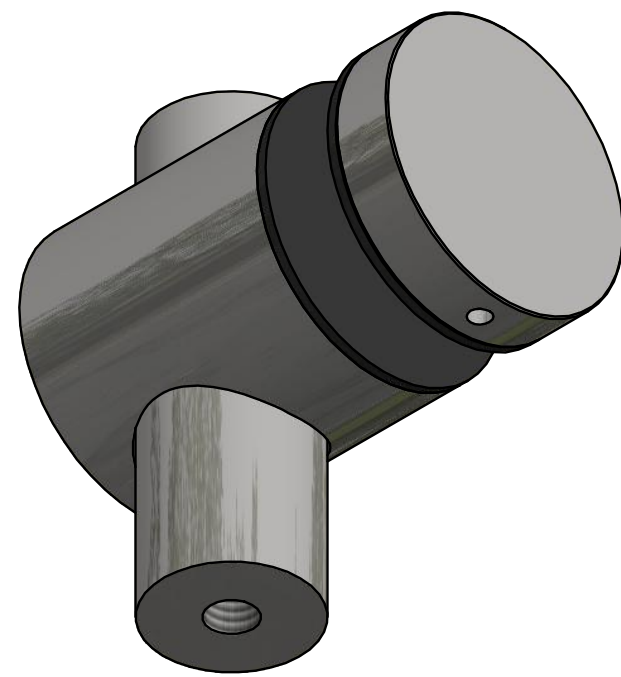
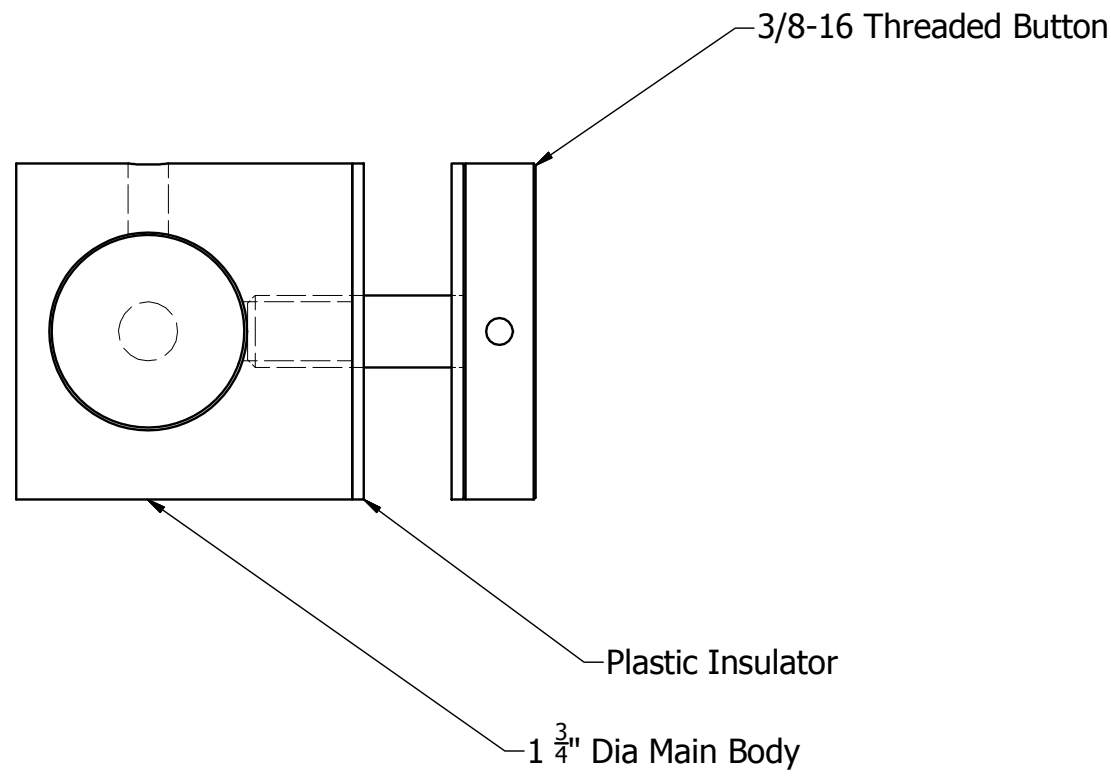
E

D

C

B

A



558-Brkt
Qty;
Mat;
 SCALE 1 : 1

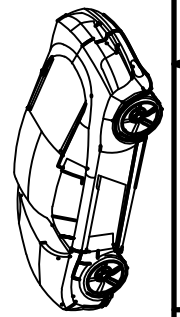
NOTICE TO CONTRACTOR AND ERECTOR
 BACK CHARGES FOR CORRECTIVE WORK OR REPLACEMENT MATERIALS WILL NOT BE ACCEPTED UNLESS AUTHORIZED BY DRAWINGSINK, LLC BEFORE SUCH COSTS ARE INCURRED.
 DO NOT SCALE DRAWING.

PRINT RECORD FOR APPROVAL

DATE APPROVED

FILE & FIELD

DRAWINGSINK, LLC
 BOX 891
 WHITE HOUSE, TENNESSEE 37188
 615.512.5110
 EMAIL: dwayne@drawingsink.com



PROJECT	LOCATION	CONTRACTOR	DRAWING TITLE	DRAWN BY:	CHECKED BY:	DATE:	DATE:	SHEET:	SHEET:
			- 558	Dwayne Bullard				B	B

FILE: 558.dwg	JOB NO.	REV.
SHEET 8 OF 8	1	

10

9

8

7

6

5

4

3

2

1