

10

9

8

7

6

5

4

3

2

1

H

G

F

E

D

C

B

A

H

G

F

E

D

C

B

A

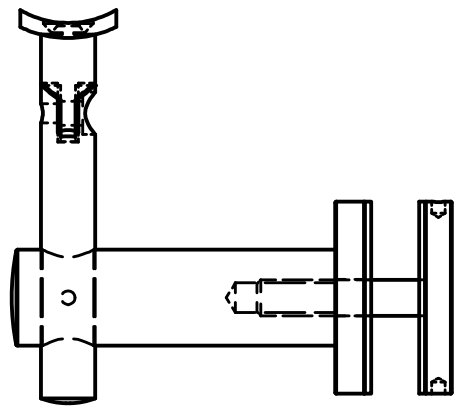
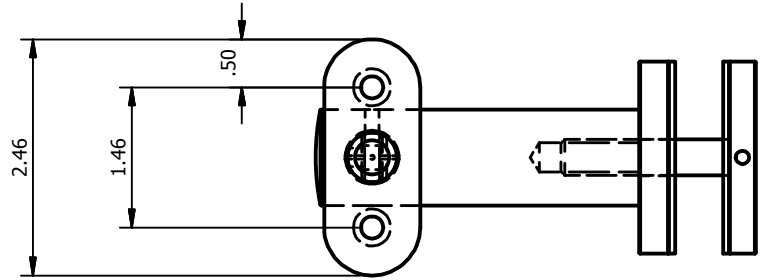
PARTS LIST			
ITEM	QTY	PART NUMBER	DESCRIPTION
2	1	HR2JG-BUT	
3	1	HR2JG-Adj-Post-1	
4	1	HR2JG-Adj-Post-2	
5	1	HR2JP-4	
6	1	2in washer-568	
7	1	HR2JG-POST-1	
8	2	Black Inslt 2in	

NOTICE TO CONTRACTOR AND ERECTOR
 BACK CHARGES FOR CORRECTIVE WORK OR REPLACEMENT MATERIALS WILL NOT BE ACCEPTED UNLESS AUTHORIZED BY DRAWINGSINK,LLC BEFORE SUCH COSTS ARE INCURRED.
 DO NOT SCALE DRAWING.

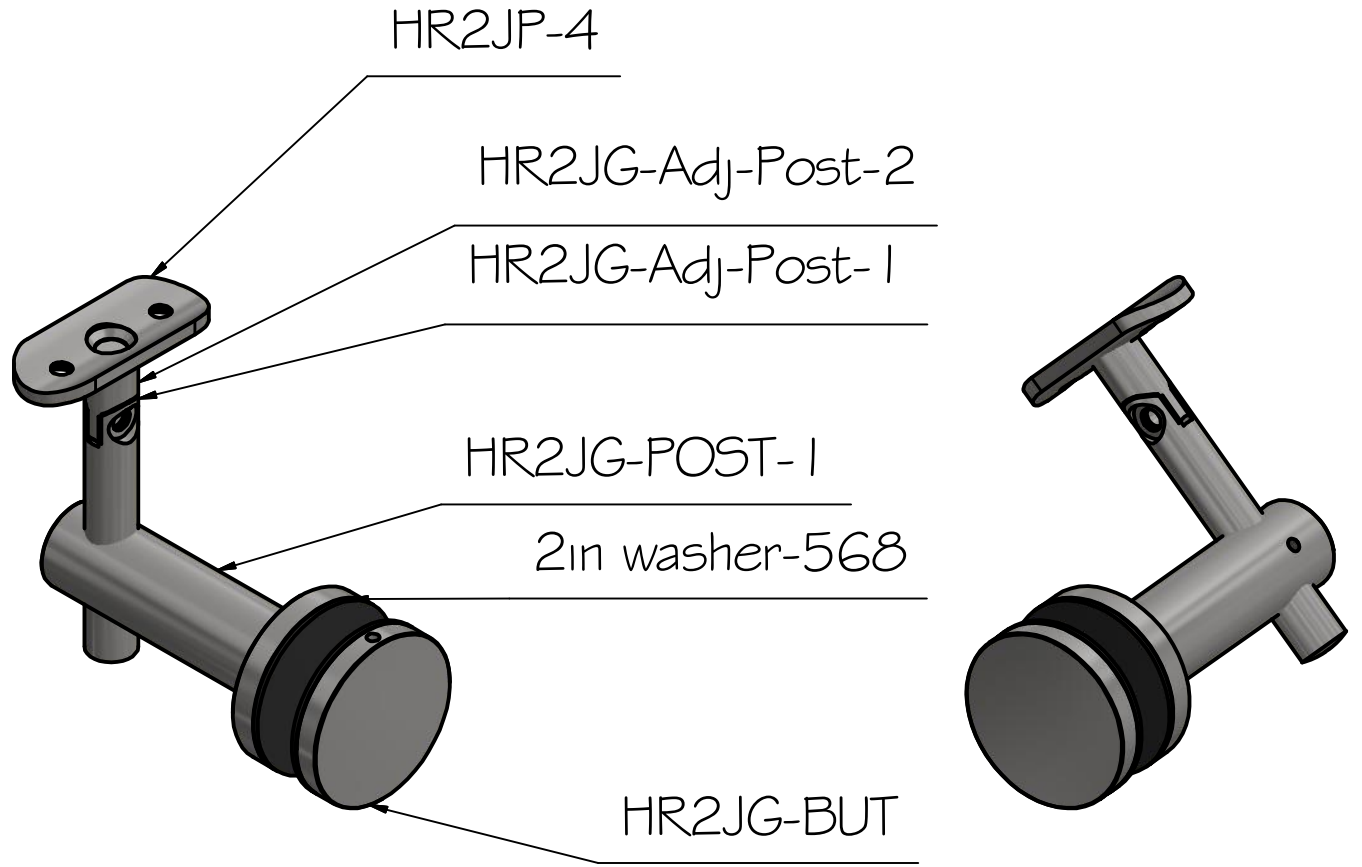
PRINT RECORD FOR APPROVAL

DATE APPROVED

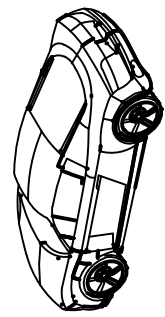
FILE & FIELD



HR2JG-BS-1
 QTY: 1
 SCALE: 1 / 2



DRAWINGSINK,LLC
 BOX 891
 WHITE HOUSE, TENNESSEE 37188
 615.512.5110
 EMAIL: dwayne@drawingsink.com



MATERIAL:	
STOCK NUMBER:	
FINISH:	
COMMENTS:	

REVISIONS			
No.	DATE	DESCRIPTION	BY
-			

PROJECT	LOCATION	CONTRACTOR	DRAWING TITLE	DRAWN BY:	CHECKED BY:	DATE:	DATE:	SHEET:	NOTED
			HR2JG-B5-1	Dwayne Bullard				B	
FILE: HR2JG-B5-1.dwg									
JOB NO. REV.									
SHEET 1 OF 2									
1									

10

9

8

7

6

5

4

3

2

1

10

9

8

7

6

5

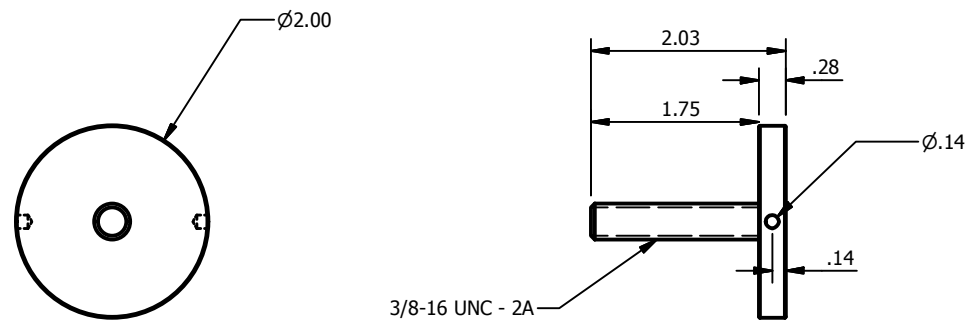
4

3

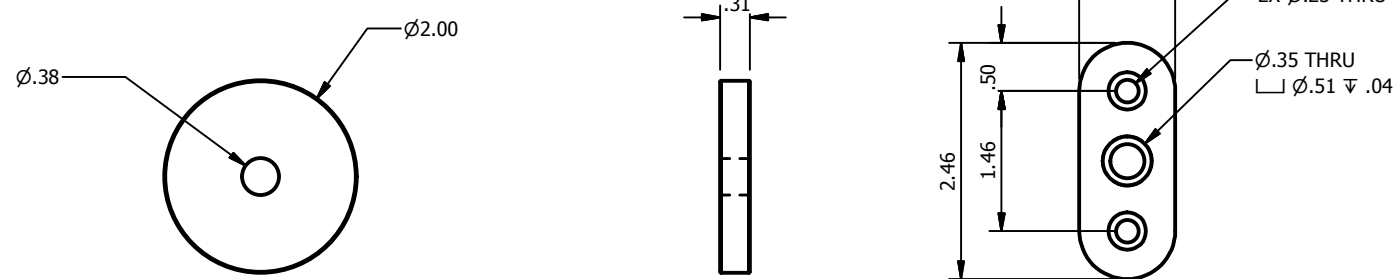
2

1

H
G
F
E
D
C
B
A

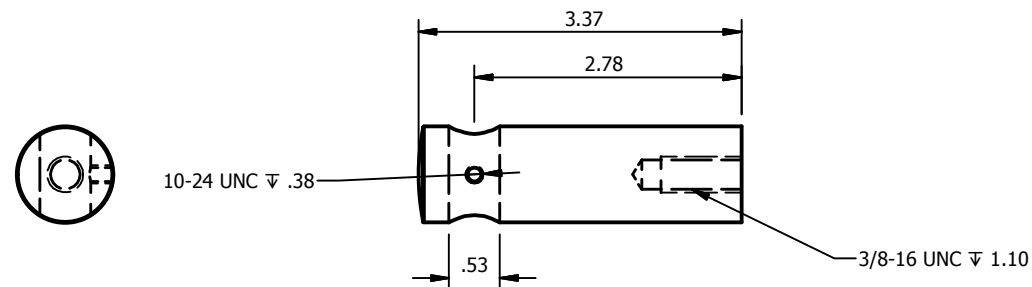


HR2JG-BUT
 QTY; 1
 SCALE: 1 / 2

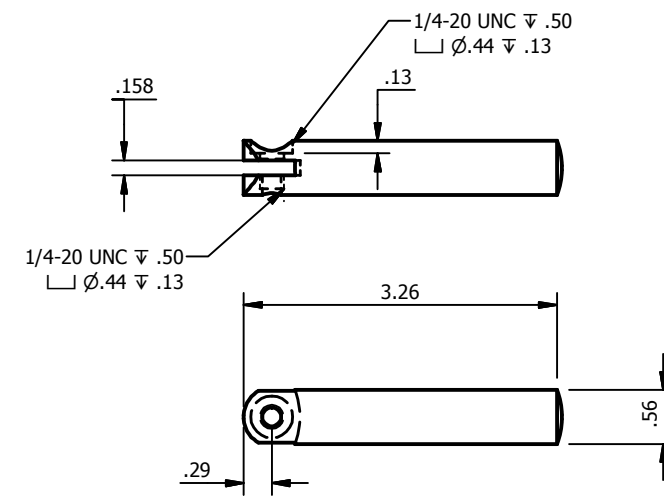


HR2JP-4
 QTY; 1
 SCALE: 1 / 2

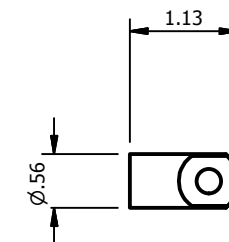
2in washer-568
 QTY; 1
 SCALE: 1 / 2



HR2JG-POST-1
 QTY; 1
 SCALE: 1 / 2



HR2JG-Adj-Post-1
 QTY; 1
 SCALE: 1 / 2

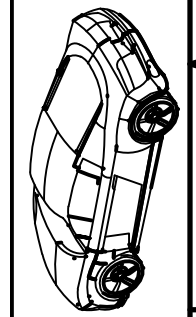


HR2JG-Adj-Post-2
 QTY; 1
 SCALE: 1 / 2

NOTICE TO CONTRACTOR AND ERECTOR
 BACK CHARGES FOR CORRECTIVE WORK OR REPLACEMENT MATERIALS WILL NOT BE ACCEPTED UNLESS AUTHORIZED BY DRAWINGSINK, LLC BEFORE SUCH COSTS ARE INCURRED.
 DO NOT SCALE DRAWING.

PRINT RECORD FOR APPROVAL
 DATE APPROVED
 FILE & FIELD

DRAWINGSINK, LLC
 BOX 891
 WHITE HOUSE, TENNESSEE 37188
 615.512.5110
 EMAIL: dwayne@drawingsink.com



PROJECT	LOCATION	CONTRACTOR	DRAWING TITLE	DRAWN BY:	CHECKED BY:	DATE:	DATE:	SCALE:	NOTED
			HR2JG-B5-1	Dwayne Bullard				B	
FILE: HR2JG-B5-1.dwg									
JOB NO.		REV.							
SHEET 2 OF 2									
2									

10

9

8

7

6

5

4

3

2

1