

NOTICE TO CONTRACTOR

AND ERECTOR
 BACK CHARGES FOR CORRECTIVE
 WORK OR REPLACEMENT MATER-
 IALS WILL NOT BE ACCEPTED
 UNLESS AUTHORIZED BY
 Drawingsink,LLC BEFORE SUCH
 COSTS ARE INCURRED.
 DO NOT SCALE DRAWING.

PRINT RECORD

FOR APPROVAL

3/13/2015
3/11/2015

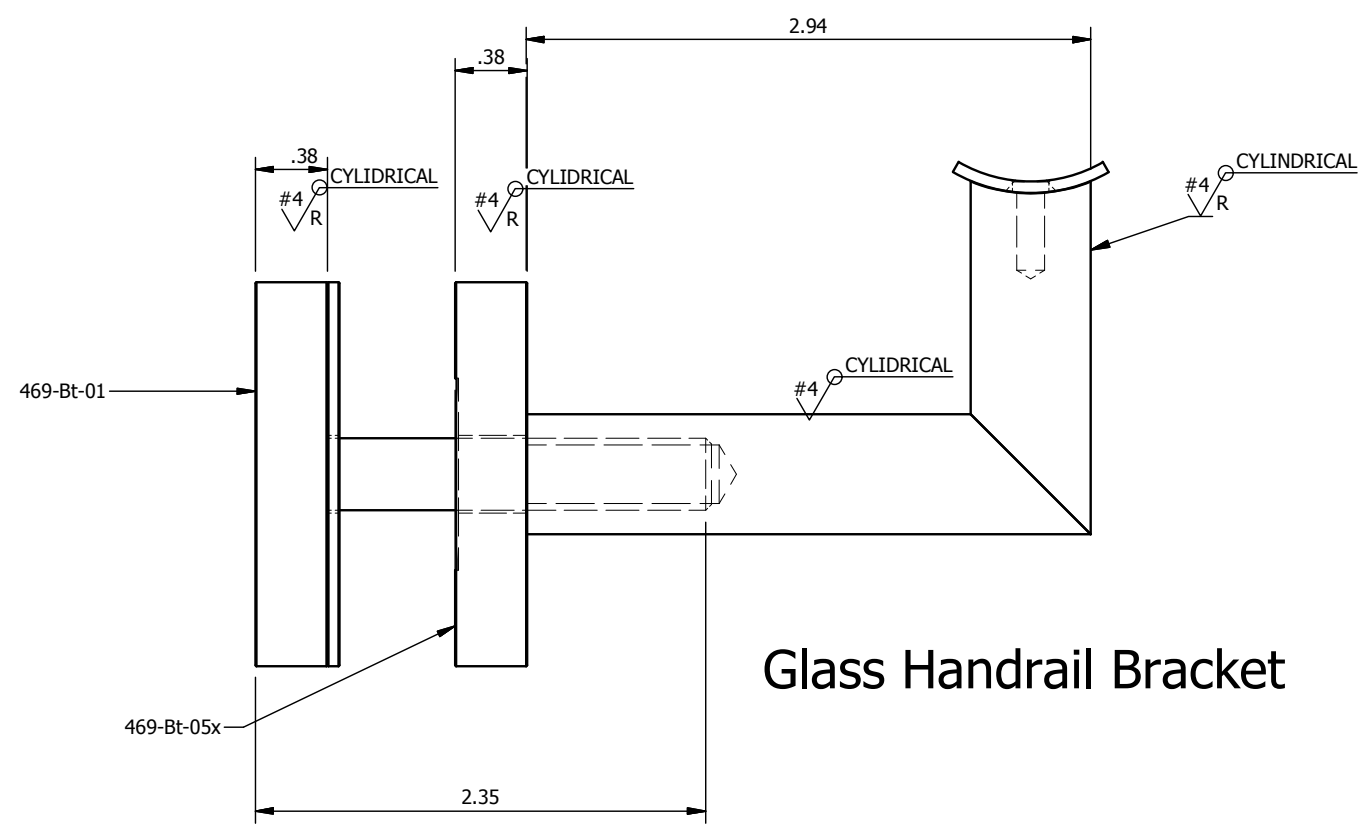
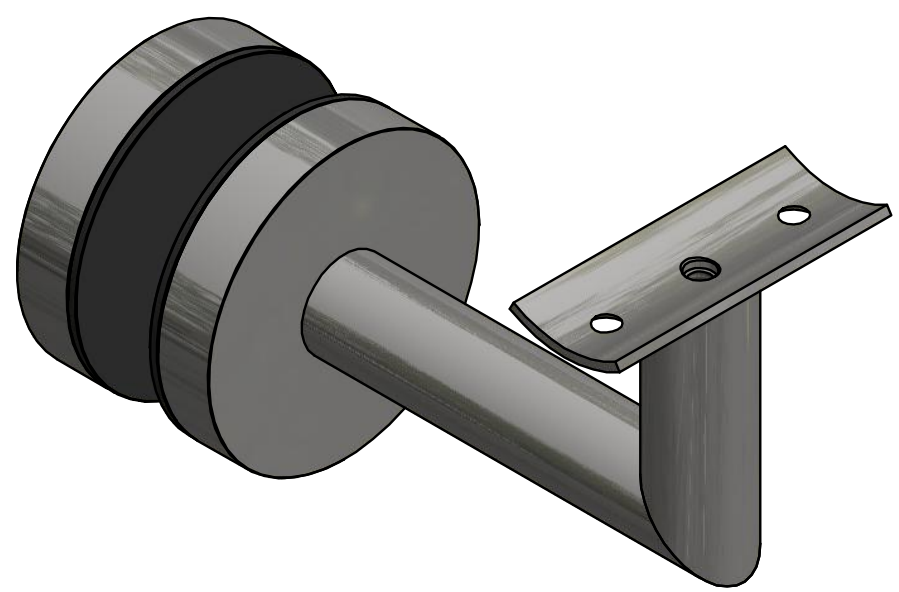
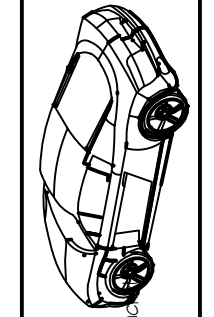
DATE APPROVED

3/20/2015

FILE & FIELD

4/23/2015
3/12/2015

DRAWINGSINK,LLC
 BOX 891
 WHITE HOUSE, TENNESSEE 37188
 615.512.5110
 EMAIL: dwayne@drawingsink.com



Glass Handrail Bracket

MATERIAL:	
STOCK NUMBER:	
FINISH:	
COMMENTS:	

REVISIONS			
No.	DATE	DESCRIPTION	BY
-			

PROJECT	CONTRACTOR	DRAWING TITLE	SCALE:
LOCATION	DRAWN BY: Dwayne Bullard	2" STAINLESS STEEL HANDRAIL BRACKET - Glass Bracket	NOTED
CHECKED BY:	DATE: 3/11/2015	DATE: 3/13/2015	SIZE: B
FILE: Glass Bracket.dwg	JOB NO.	REV.	
			SHEET 1 OF 2
			1

NOTICE TO CONTRACTOR

AND ERECTOR
BACK CHARGES FOR CORRECTIVE
WORK OR REPLACEMENT MATER-
IALS WILL NOT BE ACCEPTED
UNLESS AUTHORIZED BY
Drawingsink, LLC BEFORE SUCH
COSTS ARE INCURRED.
DO NOT SCALE DRAWING.

PRINT RECORD

FOR APPROVAL

3/13/2015

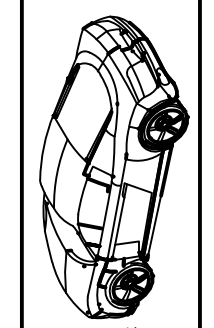
DATE APPROVED

3/20/2015

FILE & FIELD

4/23/2015

DRAWINGSINK, LLC
BOX 891
WHITE HOUSE, TENNESSEE 37188
615.512.5110
EMAIL: dwayne@drawingsink.com



PROJECT	CONTRACTOR	DRAWING TITLE	SCALE:
LOCATION	DwaynePollard	2" STAINLESS STEEL GLASS BUTTON - Glass Button	NOTED
DRAWN BY:	CHECKED BY:	DATE: 3/13/2015	DATE: 3/13/2015
		SIZE: B	NOTED

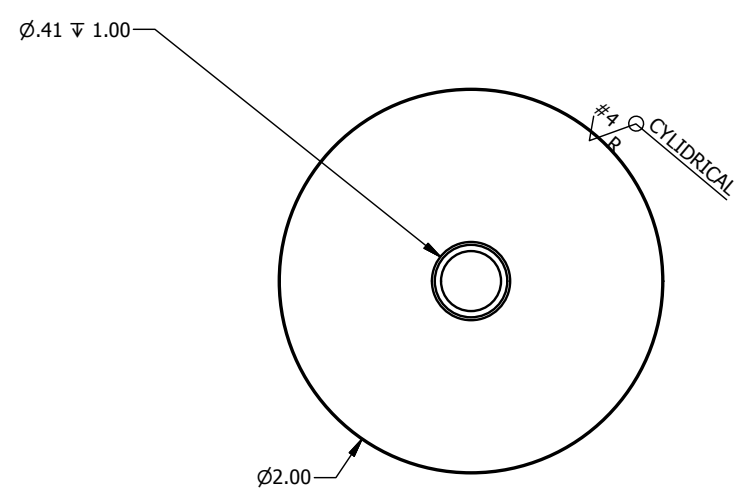
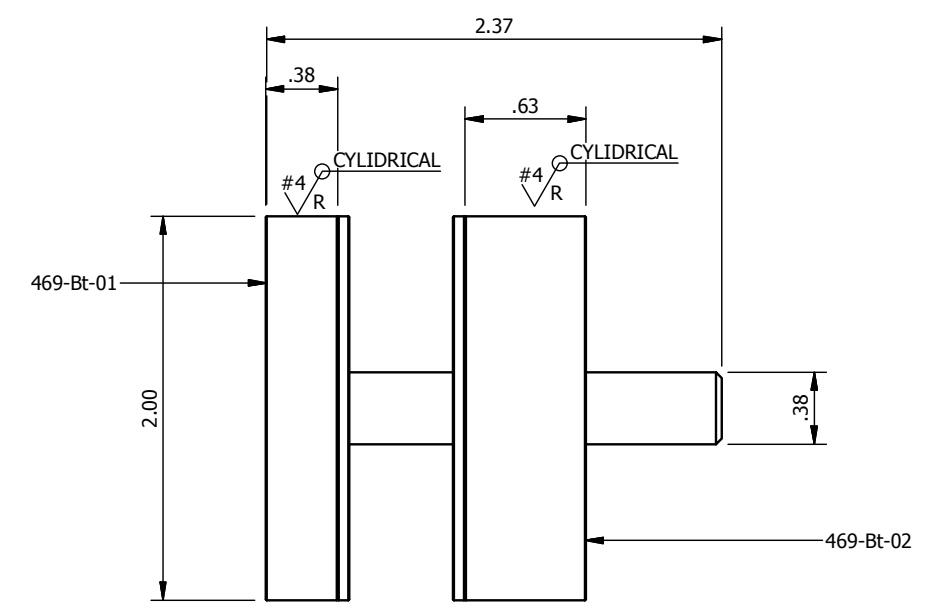
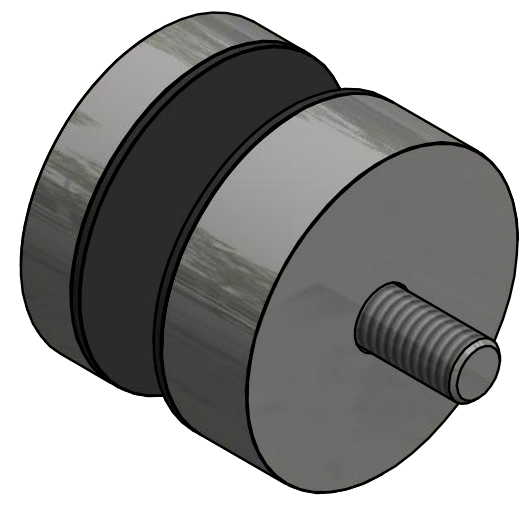
FILE: Glass Button.dwg

JOB NO. REV.

SHEET 2 OF 2

2

*



Glass Button